



Saxon Range 1-8 Zone Conventional Control Panels



Key Features

- Built-in detector removal indication facility
- From 1 to 8 zones
- 4 Alarm circuits on 4-8 zone panels
- Conforms to the requirements of EN54-2
- User-friendly access code
- One-man test facility
- Non-latching zone feature
- Class change input
- Earth fault monitoring
- Fully-functional repeater available (4 & 8 zone panels only)
- Removable cable-entry grommets
- User-friendly controls
- Surface or semi-flush mounting as standard
- Ample termination space
- Flame-resistant polycarbonate enclosure
- Log book and manual supplied
- Complies with EMC and LVD directives

Introduction

The Saxon Range conventional panel may be supplied in 1, 2, 4 or 8 zone formats. It complies with the requirements of EN54 Part 2. All zones and alarm circuits are monitored for open and short circuit fault conditions with detector removal facility also provided as standard.

The cabinet will house 2 x 12V 2.1AH S.L.A. batteries wired in series, which will sustain an 8 zone panel for up to 24 hours. All panels have a zone 1 non-latch facility to enable panel interlinking without "lock-up" occurring. The class change input enables the alarm circuits to operate without panel indication or panel latching.

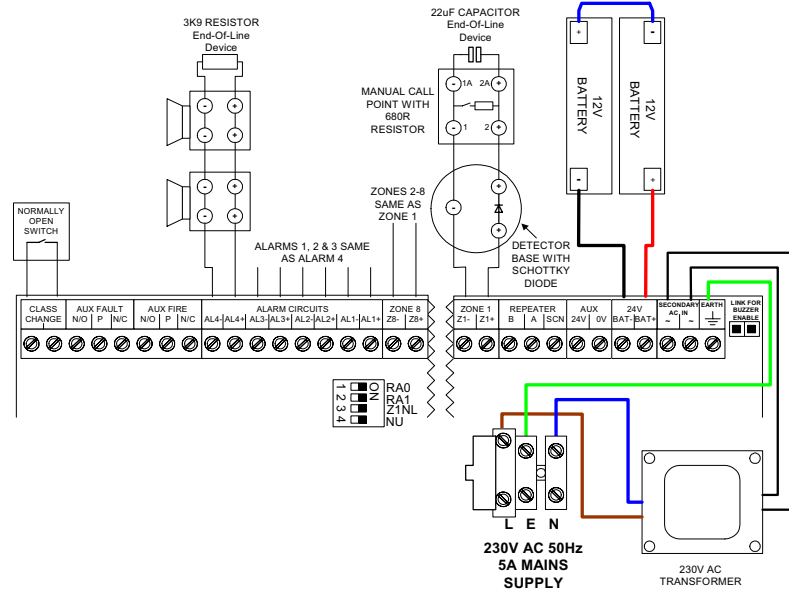
The cabinet back-box houses only the transformer, thus providing a virtually empty enclosure for first fix installation. A steel gland plate, removable plastic grommets and ample space are designed to assist with cable termination. A slide-in insert is included for clear zone identification. The surface-mount electronics motherboard is fitted and terminated after first fix installation. Finally a terminal cover completes the panel installation.

The 4 & 8 zone panels will accommodate up to 3 repeater panels, which are connected by a shielded 2-core data cable where the repeater panels are powered locally, or an additional 2-core may be run from the panel for power (Max. 1 repeater may be powered from the panel).

Saxon Range

1-8 Zone Conventional Control Panels

Typical Connections



Technical Specifications

| | 1 zone panel | 2 zone panel | 4 zone panel | 8 zone panel |
|-----------------------------------|---|--------------------------------|--------------------------------|--------------------------------|
| Maximum field equipment load: | 800mA | | | |
| Auxiliary 24VDC output | 250mA | | | |
| Mains failed current consumption: | 35mA @24VDC | 40mA @24VDC | 40mA @24VDC | 40mA @24VDC |
| Maximum battery charger output: | 500mA @27.5 VDC | | | |
| Common fire output: | Volt-free contacts - 1A, 30V DC max. | | | |
| Common fault output: | Volt-free contacts - 1A, 30V DC max. | | | |
| Alarm circuit output: | 2 at 250mA each @28VDC | 4at 500mA each @28VDC | 4at 500mA each @28VDC | 4at 500mA each @28VDC |
| Battery size: | 2 x 12V 2.1AH sealed lead acid | 2 x 12V 2.1AH sealed lead acid | 2 x 12V 2.1AH sealed lead acid | 2 x 12V 2.1AH sealed lead acid |
| Cabinet Sizes (Back box only) | 245mmH x 287mmW x 66mmD (Excluding front cover) | | | |
| Weight (excluding batteries): | 2.3kg | 2.3kg | 2.3kg | 2.3kg |

Note: On the 4-8 zone panels the total current available for the field devices is 800mA at 24VDC. This current must be shared between the alarm and aux. supply.

Part Numbers

| | |
|----------|-------------------------------------|
| 2500/383 | Saxon Range 1 zone control panel |
| 2500/384 | Saxon Range 2 zone control panel |
| 2500/385 | Saxon Range 4 zone control panel |
| 2500/386 | Saxon Range 8 zone control panel |
| 2500/967 | Saxon Range Repeater c/w PSU |
| 2500/968 | Saxon Range Repeater— Panel Powered |

Saxon Range

1-2 Loop Analogue Addressable Control Panels (XP95 & Discovery Protocols)



Key Features

From 1-2 loops

Compliant with EN54 parts 2 and 4, BS EN 60950 and BS EN 50130 part 4

Full Apollo XP95 and Discovery compatibility

Automatic recognition of Apollo outstations

Extensive mode change options by day/night and special group allocation

Windows-based, full upload/download PC software package

500mA output per loop with highly stable voltage platform, even under mains-failed conditions

Fully networkable with other Saxon and Excel Series panels, graphics package and **Integra** network repeaters

Powerful processing and extensive panel and loop I/O capability

User-friendly controls and a clear, unambiguous screen

Membrane facia with tactile switches

Complies with EMC and LVD Directives

Saxon Range

Introduction

The Saxon range analogue addressable panels are a powerful yet user-friendly series of control panels. They are designed to a high standard in compliance with EN54, parts 2 & 4. Each panel in this modular series has considerable processing ability but is easy to install, programme and operate. This is supported by comprehensive support documentation. Panels are housed in steel enclosures and are finished in hardwearing epoxy paint.

This panel is ideally suited to installations which require very complex sounder and control/shutdown functions. The panels are programmable to meet individual site requirements by means of a cause & effect matrix. This is downloaded from a PC, using the Cause & Effect Edit Programme. Text may be edited via a keyboard or downloaded from a PC.

The Saxon has a 4 line x 20 character backlit LCD display, showing the first and most recent event. Other events may be reviewed using the More Messages facility. User controls are accessed by means of keyswitch-enabled membrane controls, with password protection for engineer purposes. Each panel has a high level of processing power and each loop has its own processor. The panel allows up to 126 addresses per loop. All addresses on a loop may be used for output functions, with 3 independently programmable output bits per address.

By using Apollo Discovery detectors, the system may be configured to automatically switch between heat and smoke detection at selected times of day or week. Additional facilities are also provided for temporary switching between smoke and heat detection to suit short-term changes in environmental conditions.

Up to 248 user-definable panel inputs and relay/two-stage alarm outputs can be provided via expansions boards. Many useful testing and service functions are also provided. All events may be recorded on the optional printer and zonal indications are included as standard. There is a complete range of compatible accessories available to support the Saxon panels to meet most customer requirements. The addition of a network card to the panel will allow monitoring, indication and control of the functions of a networked installation, allowing signals to be distributed around a large site.

Technical Specifications

| | | |
|------------------------------------|--------------------------------------|----------------|
| Mains voltage | 230V AC +10% -6% | |
| Mains failed fault battery current | 1 loop - 145mA | 2 loop - 170mA |
| Mains failed alarm battery current | 1 loop - 260mA | 2 loop - 285mA |
| Maximum battery charging current | 1.5A | |
| Alarm circuits | 2 @ 1A per circuit | |
| Auxiliary supply | 20V-28V @ 500mA | |
| Weight (excluding batteries) | 8kg | |
| Dimensions | 370mm high x 325mm wide x 139mm deep | |

Part Numbers

2500/955 **Saxon** 1 loop control panel
2500/956 **Saxon** 2 loop control panel



Repeater Panels

Repeater Panels

Saxon CB200 repeater



Part Numbers

| | |
|----------|--|
| 2500/968 | CB200 repeater panel |
| 2500/967 | CB200 repeater panel c/w 230v power supply |

Excel EN repeater



Part Numbers

| | |
|----------|---|
| 2605/110 | EN 8 zone repeater c/w 230v power supply |
| 2605/111 | EN 16 zone repeater c/w 230v power supply |
| 2605/112 | EN 32 zone repeater c/w 230v power supply |
| 2605/115 | EN 8 zone repeater |
| 2605/116 | EN 16 zone repeater |
| 2605/117 | EN 32 zone repeater |

Saxon/ Excel Addressable



Part Numbers

| | |
|----------|--|
| 2500/847 | Saxon Repeater Panel |
| 2500/848 | Saxon Repeater Panel c/w 230v power supply |
| 2500/830 | Excel Repeater Panel |
| 2500/842 | Excel Repeater Panel c/w 230v power supply |
| 2500/844 | Excel Repeater Panel c/w 230v power supply and 32 zonal led indications. |
| 2500/162 | A1619 driver board |