



MULTIPLE CONTROL VALVE

TECHNICAL DATA

MODEL	M - Single outlet. MD - Double outlet.
SIZE	1) 32NB Inlet - 25NB Single outlet 2) 40NB Inlet - 32 or 25NB Double Outlet
MAXIMUM SERVICE PRESSURE	2 to 12 Bar
TEMPERATURE RATING	57°C, 68°C, 79°C and 93°C
THREADED OPENING	Female BSPT connection (NPT Optional)
FACTORY HYDROSTATIC PRESSURE	25Kg./Sq.cm. (For Housing) 15Kg./Sq.cm. (For Seat)
WEIGHT	MODEL M - 1.70 KG. MODEL MD - 3.00 KG.
FINISH	Brass finish or Red painted
ORDERING INFORMATION	Please specify : Model no, Inlet, outlet size & temperature rating.



APPLICATION

Multiple Control Valve does have a thermally actuated release element, which detects the fire and directs the water flow to a selected area to water or to give sprinkler alarm. The multiple control valve is used to protect high risk, small areas within the building.

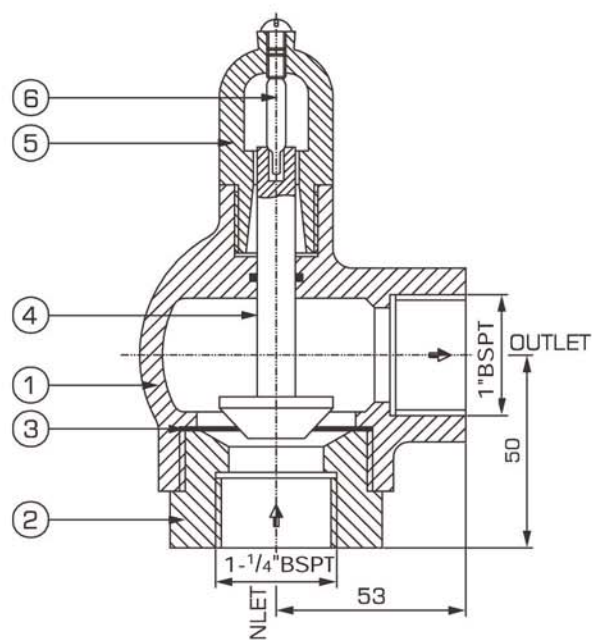
OPERATION

The water under pressure is maintained at the inlet and up to the seat of the multiple jet control valve. On detection of fire the bulb breaks and the water under pressure lifts the clapper seat and flows through the outlet of the Multiple Jet Control Valve. The valve must be used in a system that has minimum 2 bar pressure.

INSPECTION AND MAINTENANCE

The valve must be inspected periodically. The release element should not be painted. The valve once actuated must be sent to the factory for reassembling for the actuation mechanism and the seat must be replaced.

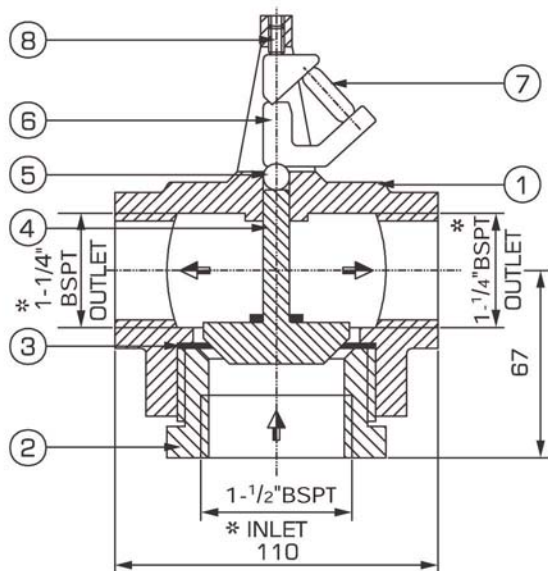
Model M



MATERIAL OF CONSTRUCTION

SR. NO.	DESCRIPTION	MATERIAL
1	HOUSING	BRONZE IS:318/ ASTM B62
2	CONNECTOR	BRONZE IS:318/ ASTM B62
3	SEAT	REINFORCED NEOPRENE
4	PLUNGER	BRASS IS:319/ ASTM B16
5	BULB FRAME	BRASS IS:319/ ASTM B16
6	BULB	GLASS

MULTIPLE CONTROL VALVE Model MD



MATERIAL OF CONSTRUCTION

SR. NO.	DESCRIPTION	MATERIAL
1	HOUSING	BRONZE IS:318/ ASTM B62
2	CONNECTOR	BRONZE IS:318/ ASTM B62
3	SEAT	REINFORCED NEOPRENE
4	PLUNGER	BRASS IS:319/ ASTM B16
5	BALL	S.S.
6	LINKS	BRONZE IS:318/ ASTM B62
7	BULB	GLASS
8	SCREW	S.S.

* For smaller inlet and outlet connection reducing bushes will be supplied as optional.